

Wall Plate HDMI & IR Repeater CAT5 Extender

ITEM NO.: HW01 Wall Plate HDMI & IR Repeater CAT5 Extender



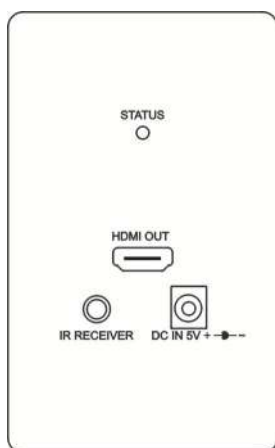
HW01 Wall Plate HDMI with IR repeater CAT5 extender is designed to use two low cost CAT5E cable to extend HDTV sources from DVD players, Blu-ray Disc player PS3. With extra IR repeater function for easy and friendly control HDMI sources from the remote site.

Features:

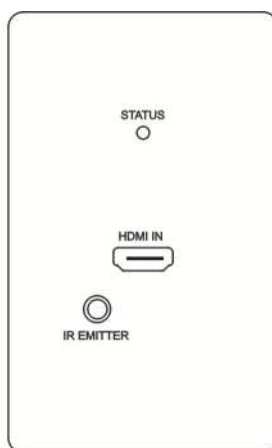
- Extends HDMI and IR signal over two CAT5/5e/6 cables.
- Transmission range up to 60 meters.
- Support high resolution up to 1080p.
- Built in auto EQ function, no need to do any adjustment for different range.
- Fully HDCP compliant.
- HDMI 1.3a compatible, HDCP 1.1, support DDC, EDID, CEC, Hot Plug Detect
- Built in IR repeater function, could be control the source devices from remote side.
- Receiver unit power could be sending from PCB inside 5V terminal or external 5V DC Jack.
- Package includes: transmitter and receiver unit, one external power adapter, IR emitter cable and IR receiver cable. (1.8 meters (6 ft))

Panel view & Function:

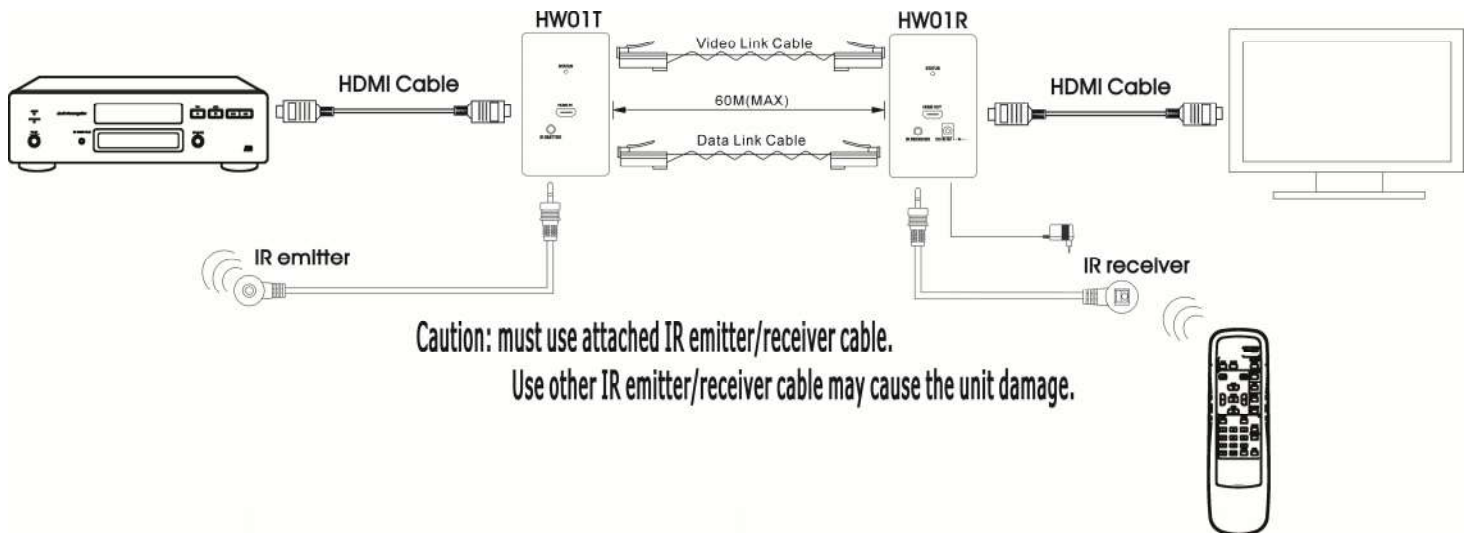
HW01R



HW01T



Installation view:



Resolution	Transmission Range (Max.)
480i / 576i / 480p / 576p	60M
720p / 1080i	60M
1080p	50M

Cable:

Video Link cable using hi quality CAT5E UTP or CAT6 UTP cable, CAT6 cable enhances transmission range and signal stability.

Data Link cable using CAT5E UTP/STP cable, It is not hi speed signal transmission, so using regular CAT5E UTP cable will be ok.

RJ45 pin Define:

Video Link (TIA/EIA-568-B)

1. Orange-white	TMDS Data2 +
2. Orange	TMDS Data2 -
3. Green-white	TMDS Clock +
4. Blue	TMDS Data1 +
5. Blue-white	TMDS Data1 -
6. Green	TMDS Clock -
7. Brown-white	TMDS Data0 +
8. Brown	TMDS Data0 -

Data Link (TIA/EIA-568-B)

1. Orange-white	CEC
2. Orange	HPD
3. Green-white	SCL
4. Blue	HW01R POWER
5. Blue-white	IR
6. Green	GND
7. Brown-white	SDA
8. Brown	HW01T POWER

LED Indication:**HW01T Status:** Blue = normal.

Red = abnormal (HDMI equipment power off or cable not have properly connection)

Flash = IR emitting.

Off = No Power. (HDMI Source power off and no connect with HW01R)

HW01R Status: Blue = Normal.

Red = abnormal (HDMI equipment power off or cable not have properly connection)

Off = No power or power source is too low

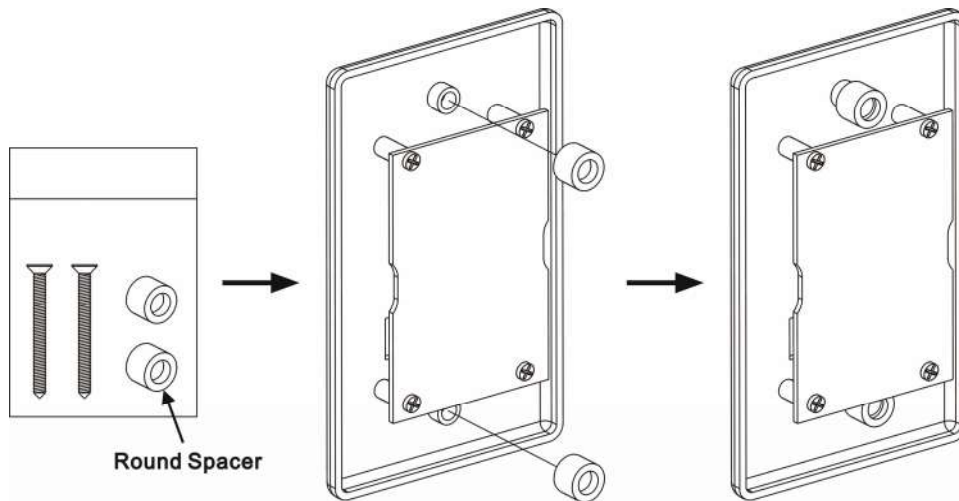
Caution:

1. The cabling must away from any equipment with electromagnetic wave, i.e.: microwave, radio equipment, high voltage.

2. HW01 Data Rate support up to 2.25Gbps, but not support 1080p Deep Color signal.

3. IR receiving angle is $\pm 45^\circ$ with maximum distance 5 meters.

IR emitting angle is $\pm 30^\circ$ with maximum distance 3 meters.

**Specification:**

ITEM NO.	HW01T	HW01R
Resolution	480i / 576i / 480p / 576p / 720p / 1080i / 1080p	
Data Rate	Max. 2.25Gbps	
Link Cable Distance	CAT5E 60M@1080i , CAT5E 40M @1080p	
HDMI Connector	HDMI A Type x 1 (Input)	HDMI A Type x 1 (Output)
3.5 mm Connector	IR emitter	IR receiver
Link Connector	RJ-45 Shielded x 2	
IR Carrier Frequency	38Khz	
Max. Power Consumption	X	DC5V 500mA (Max)
Power Supply	X	DC5V 1Amp
Temperature	Operation: -40 ~ +55°C, Storage: -40 ~ 85°C, Humidity: up to 95%	
DIMENSIONS W x H x D mm	70.3 x 33 x 115	
Weight g	68	70



Rev. B