



YLI ELECTRONIC



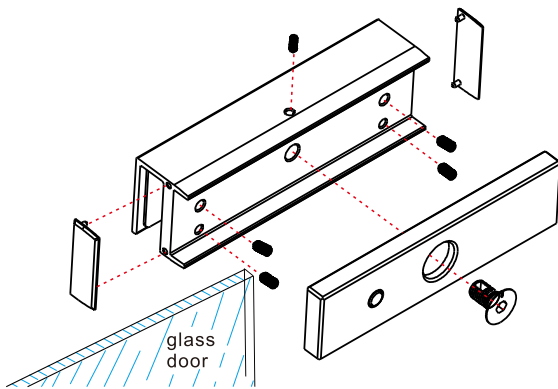
Patent: No.201420531833.6

U Bracket for Magnetic Lock

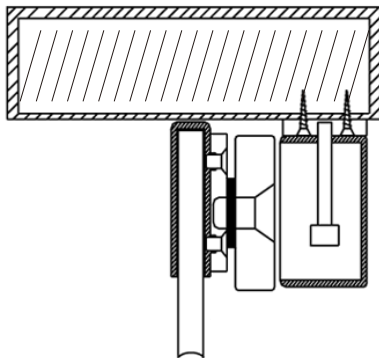
Specification

Model	Size(unit:mm)	Suitable For	Used With	Material	Weight
MBK-180U	134Lx39Wx30.5H	Frameless glass door (10-12mm)	180KG Magnetic Lock	High strength aluminum, sandblast finished	0.24kg
MBK-280U	184Lx45Wx37.5H	Frameless glass door (10-15mm)	280KG Magnetic Lock	High strength aluminum, sandblast finished	0.32kg
MBK-350U	194.4Lx52.4Wx35.4H	Frameless glass door (10-15mm)	350KG Magnetic Lock	High strength aluminum, sandblast finished	0.5kg

Installation & Dimension

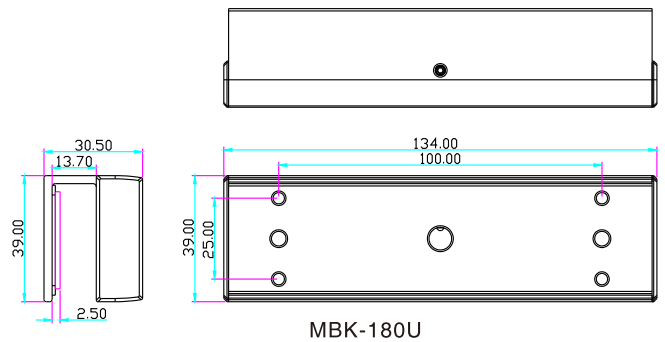


U Bracket Installation

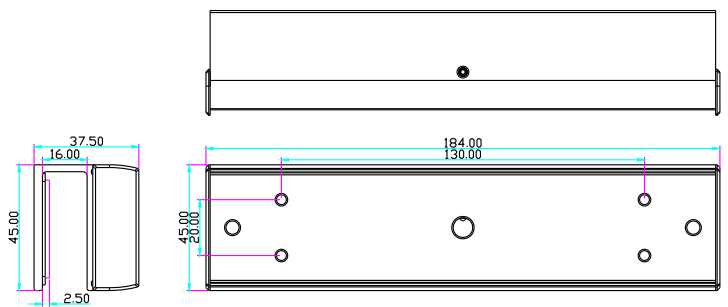


Pull glass door leaf (swing out)

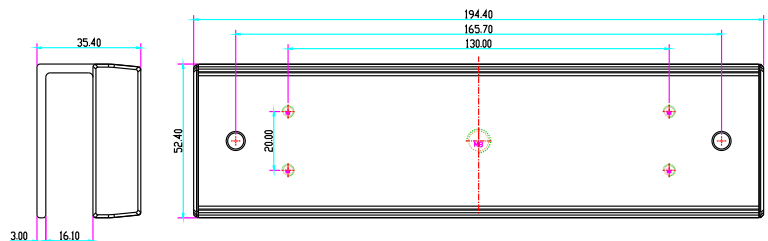
- If the door is glass door, need to install the U bracket.
- Use the Allen key to fix the U bracket on the glass door.
- Fix the amature plate on the U bracket.



MBK-180U



MBK-280U



MBK-350U