

DH-PTZ83240-HNF-WA

2MP 40x Starlight IR WizMind Network Positioning System



WizMind

Launched by Dahua Technology, Dahua WizMind is a full portfolio of solutions composed of project-oriented products including IPC, NVR, PTZ, XVR, Thermal and software platform which adopts industry-leading deep learning algorithms. Focusing on customer's requirements, WizMind provides precise, reliable and comprehensive AI solutions for verticals.

System Overview

With CNN algorithm, Dahua WizMind speed dome supports intelligent functions like tripwire and intrusion; and supports video structuralization function that recognizes motor vehicle, non-motor vehicle, and human to analyze their detailed information (plate number, vehicle brand, age and gender, etc.). With PFA algorithm, the speed dome can get clear images all the time during zooming. In addition, silent motor driver integrated circuits enable the speed dome to make faint sounds during rotation.

Functions

Perimeter Protection

Automatically filtering out false alarms caused by animals, rustling leaves, bright lights, etc. Enables system to act secondary recognition for the targets. Improving alarm accuracy.

Starlight Technology

For challenging low-light applications, Dahua's Starlight Ultra-low Light Technology offers best-in-class light sensitivity, capturing color details in low light down to 0.001 lux. The camera uses a set of optical features to balance light throughout the scene, resulting in clear images in dark environments.

PFA Technology

PFA technology has innovatively introduced new methods of judgment to ensure the accuracy and predictability of the direction of subject distance adjustment. The result is a set of advanced focusing algorithms. PFA ensures clarity of the image throughout the process of zooming and shortens focus time. The realization of PFA technology substantially improves user experience and increases product value.

- 1/1.8" 2Megapixel STARVIS™ CMOS
- Powerful 40x optical zoom
- Starlight technology
- Max. 25/30fps@2M
- IR distance up to 400 m
- Deep-learning-based auto tracking and perimeter protection
- Auto-tracking and IVS
- IP67



Environmental

Dahua cameras operate in extreme temperature environments, rated for use in temperatures from -40 °C to +70 °C (-40 °F to +158 °F) with 95% humidity. Subjected to rigorous dust and water immersion tests and certified to the IP67 Ingress Protection rating makes it suitable for demanding outdoor applications.

Protection

The camera allows for ±25% input voltage tolerance, suitable for the most unstable conditions for outdoor applications. Its 6KV lightning rating provides effective protection for both the camera and its structure against lightning.

Interoperability

The camera conforms to the ONVIF (Open Network Video Interface Forum) specifications, ensuring interoperability between network video products regardless of manufacturer.

Wide Dynamic Range

The camera achieves vivid images, even in the most intense contrast lighting conditions, using industry-leading wide dynamic range (WDR) technology. For applications with both bright and low lighting conditions that change quickly, True WDR (120 dB) optimizes both the bright and dark areas of a scene at the same time to provide usable video.

Auto-tracking

This feature controls the pan/tilt/zoom actions of the camera to automatically track an object in motion and to keep it in the scene. The tracking action can be triggered manually or automatically by defined rules. Once a rule is triggered, the camera can zoom in and track the defined target automatically.

Smart H.265+

Smart H.265+ is the optimized implementation of the H.265 codec that uses a scene-adaptive encoding strategy, dynamic GOP, dynamic ROI, flexible multi-frame reference structure and intelligent noise reduction to deliver high-quality video without straining the network. Smart H.265+ technology reduces bit rate and storage requirements by up to 70% when compared to standard H.265 video compression.

Technical Specification

Camera

| | |
|----------------------------|---|
| Image Sensor | 1/1.8" CMOS |
| Pixels | 2MP |
| Max. Resolution | 1920 (H) × 1080 (V) |
| ROM | 32GB |
| RAM | 4GB |
| Electronic Shutter Speed | 1/1–1/30000 s |
| Scanning System | Progressive |
| Min. Illumination | Color: 0.001Lux@F1.4 B/W: 0.0001Lux@F1.4 0Lux (IR light on) |
| Illumination Distance | 400 m (1312.34 ft) |
| Illuminator On/Off Control | Zoom Prio/Manual/SmartIR |
| Illuminator Number | 10 |
| Wiper | Support |

Lens

| | | | | |
|----------------------|---|-----------------------|-----------------------|-----------------------|
| Focal Length | 5.6 mm–224 mm | | | |
| Max. Aperture | F1.4–F4.5 | | | |
| Field of View | H: 2.0°–63.9° V: 1.2°–35° D: 2.4°–66.9° | | | |
| Optical Zoom | 40x | | | |
| Focus Control | Auto/Semi-Auto/Manual | | | |
| Close Focus Distance | 0.5 m–2 m (1.64 ft–6.56 ft) | | | |
| Iris Control | Auto | | | |
| DORI Distance | Detect | Observe | Recognize | Identify |
| | 4400 m (14435.70ft) | 1760 m (5772.8 ft) | 880 m (2887.14 ft) | 440 m (1443.57 ft) |

PTZ

| | |
|----------------------|---------------------------------------|
| Pan/Tilt Range | Pan: 0°–360° Tilt: -90°–45° |
| Manual Control Speed | Pan: 0.1°–160°/s Tilt: 0.1°–60°/s |
| Preset Speed | Pan: 160°/s Tilt: 60°/s |
| Presets | 300 |
| Tour | 8 (up to 32 presets per tour) |
| Pattern | 5 |
| Scan | 5 |
| Speed Adjustment | Support |
| Power-off Memory | Support |
| Idle Motion | Preset/Tour/Pattern/Scanning |
| Protocol | DH-SD Pelco-P/D (auto recognition) |

Artificial Intelligence

| | |
|----------------------|--|
| Video Metadata | Support human body, human face, motor vehicle and non-motor vehicle image capture and attributes extraction. |
| Perimeter Protection | Tripwire and intrusion. Support alarm triggering by target types (human and vehicle). Support filtering false alarms caused by animals, rustling leaves, bright lights, etc. |
| Auto Tracking | Support |
| Face Recognition | Support |

General Intelligence

| | |
|---------------|---|
| Event Trigger | Motion detection, video tampering, scene changing, network disconnection, IP address conflict, illegal access, and storage anomaly. |
| IVS | Object abandoned/missing |

Video

| | |
|--------------------------|---|
| Compression | H.265, H.264 Main/High/Baseline Profile, MJPEG (sub stream) |
| Streaming Capability | 3 Streams |
| Resolution | 1080P (1920 × 1080); 1.3M (1280 × 960); 720P (1280 × 720); D1 (704 × 576); CIF (352 × 288) |
| Frame Rate | Main stream: 1080P/1.3M/720P (1–25/30 fps) Sub stream 1: D1/CIF (1–25/30 fps) Sub stream 2: 1080P/1.3M/720P (1–25/30 fps); D1/CIF (1–25/30 fps) |
| Bit Rate Control | Variable/Constant |
| Bit Rate | H.264: 1792 kbps–9216 kbps H.265: 512 kbps–5632 kbps |
| Day/Night | Auto (ICR)/Color/B/W |
| BLC | Support |
| WDR | 120 dB |
| HLC | Support |
| White Balance | Auto/Indoor/Outdoor/Tracking/Manual/Sodium lamp/Natural light/Street lamp |
| Gain Control | Auto/Manual |
| Noise Reduction | 2D/3D |
| Motion Detection | Support |
| Region of Interest (RoI) | Support |
| Image Stabilization | Electronic |
| Defog | Optical |
| Digital Zoom | 16x |
| Flip | 180° |
| Privacy Masking | Up to 24 areas |

Audio

| | |
|-------------|---|
| Compression | G.711A; G.711Mu; G.726; AAC; G.722.1; G.723; G.729; PCM; MPEG2-Layer2 |
|-------------|---|

Port

| | |
|-------------|---|
| Audio Input | 1 |
|-------------|---|

| | |
|---------------|-------|
| Audio Output | 1 |
| Alarm I/O | 7/2 |
| Analog Output | 1 BNC |
| RS-485 | 1 |

Network

| | |
|---------------------|--|
| Ethernet | RJ-45 (10/100Base-T) |
| Protocol | IPv4; IPv6; HTTP; HTTPS; 802.1x; Qos; FTP; SMTP; UPnP; SNMPv1/v2c/v3 (MIB-2); DNS; DDNS; NTP; RTSP; RTP; TCP; UDP; IGMP; ICMP; DHCP; PPPoE |
| Interoperability | ONVIF Profile S&G&T; CGI |
| Streaming Method | Unicast/Multicast |
| User/Host | 20 (Total bandwidth 64M) |
| Storage | FTP; Micro SD card (256G) |
| Browser | IE7 and newer versions Chrome 42 and older versions Firefox 52 and older versions Safari |
| Management Software | Smart Player Smart PSS DSS Easy4ip |
| Mobile Phone | IOS/Android/Windows Phone |

Power

| | |
|-------------------|---|
| Power Supply | DC 36V/2.23A ± 25% |
| Power Consumption | 31.85W 61.35W (PTZ rotating, illuminator on, wiper on) |

Environment

| | |
|-----------------------|--|
| Operating Temperature | -40°C–70°C (-40°F–+158°F) |
| Operating Humidity | ≤95% RH |
| Protection | IP67; TVS 6000V lightning protection; surge protection |

Structure

| | |
|--------------|---|
| Dimensions | 210.7 mm × 366.5 mm × 498.7 mm (8.30" × 14.43" × 19.63") |
| Net Weight | 14 kg (30.86 lb) |
| Gross Weight | 19.77 kg (43.59 lb) |

Ordering Information

| Type | Model | Description |
|---|---------------------|---|
| 1080P WizMind Positioning System | DH-PTZ83240-HNF-WA | 2MP 40x Starlight IR WizMind Network Positioning System ,WDR ,PAL |
| | DH-PTZ83240N-HNF-WA | 2MP 40x Starlight IR WizMind Network Positioning System ,WDR , NTSC |
| | PTZ83240-HNF-WA | 2MP 40x Starlight IR WizMind Network Positioning System ,WDR ,PAL |
| | PTZ83240N-HNF-WA | 2MP 40x Starlight IR WizMind Network Positioning System ,WDR , NTSC |

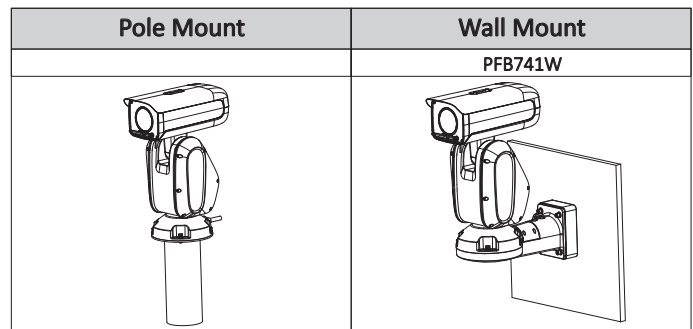
| | | |
|-------------|-------------|------------------------|
| Accessories | DH-PFB741W | Bracket + Junction box |
| | DC36V/2.23A | Power Adapter |

Accessories

Included:



Optional:



Dimensions (mm[inch])

