

MD02

Alarm Display



System Overview

Used together with storage device such as MXVR and MNVR, the alarm display shows and gives out voice reminding of driving behavior such as yawning, smoking, fatigue driving, lane departure, and warning of vehicle collision.

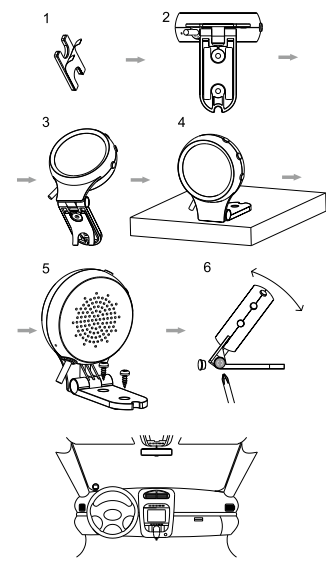
Technical Specification

Screen Size	1.54 inch
Effective Pixels	240 × 240
Brightness	680 cd/m ² , brightness level adjustable according to the lightning condition.
Color	265k
RS-232	Baud rate 9600 (M12, 7-core aviation head)
Audio Input	1 channel of M12, 7-core aviation head
Casing	Plastic
Cable Length	1000 mm (39.37 inch)
Installation	By 3M adhesive tape and screws
Power Supply	12V DC
Power Consumption	<2W
Operating Temperature	-20°C to +65°C (-4°F to 149°F)
Storage Temperature	-30°C to +70°C (-22°F to 158°F)
Dimension	Display panel: 78 mm × 61 mm × 21 mm (3.07" × 2.4" × 0.83") Bracket: 70 mm × 26 mm × 4 mm (2.76" × 1.02" × 0.16")
Weight	<150 g (0.33 lb)

Ordering Information

Type	Part Number	Description
Alarm Display	MD02	Alarm Display

Installation



Dimensions (mm[inch])

