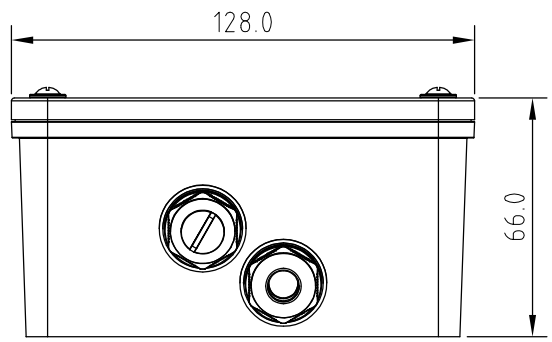
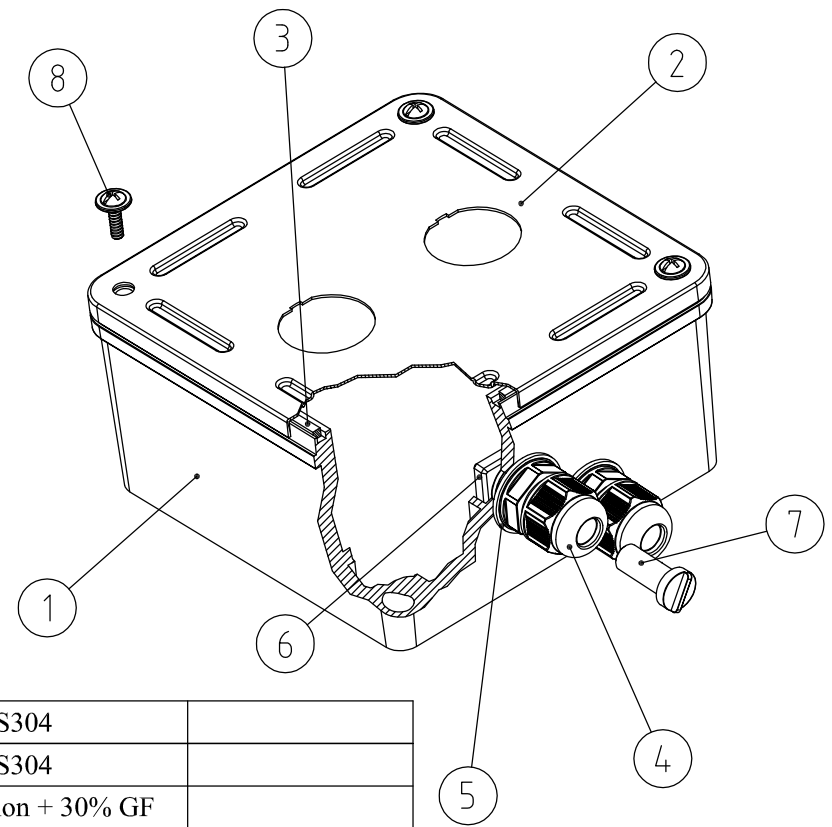
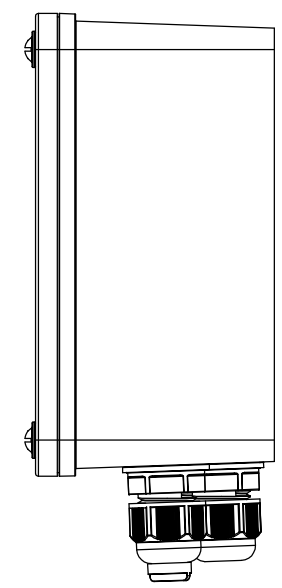
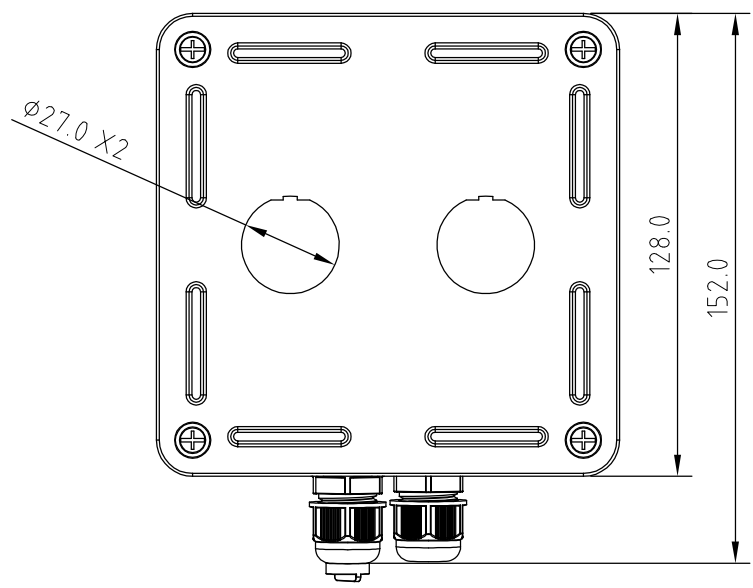


REVISIONS				
ZONE	REV	DESCRIPTION	DATE	APPROVED
	A	技術轉移單 EG06011	02/08'06	Sam Lee



⑧	Screw to fix the cover	SUS304	
⑦	Waterproof sealing insert	SUS304	
⑥	Waterproof sealing screw nut	Nylon + 30% GF	
⑤	Waterproof sealing gasket	EPDM	
④	Waterproof sealing cover	Nylon PA66	UL 94V-2
③	Gasket	Rubber	
②	Cover	SUS304	
①	Box	Polyac ABS	UL 94V-0
NO.	Description	Material	Flame retardancy

UNLESS OTHERWISE SPECIFIED: TOLERANCES			PROJECT ID		EUFOLAN	
INCH	MM	ANGULAR	12B-02-67WT		FILE	
X ± .016	X ± 0.2	X ± 1'	Z 2043 .dwg		DATE	TITLE
.XX ± .008	.XX ± 0.1	.X ± .5'	DRAWN Sam		02/08'06	IP 67 BOX, 3port
XXX ± .004			CHECK			SIZE
MATERIAL			APPROVED			DRAWING NUMBER
						Z 2043 .dwg
						PART NUMBER
						REV
						A
					SCALE	SHEET
					NON	2 OF 4
					UNIT	
					mm	