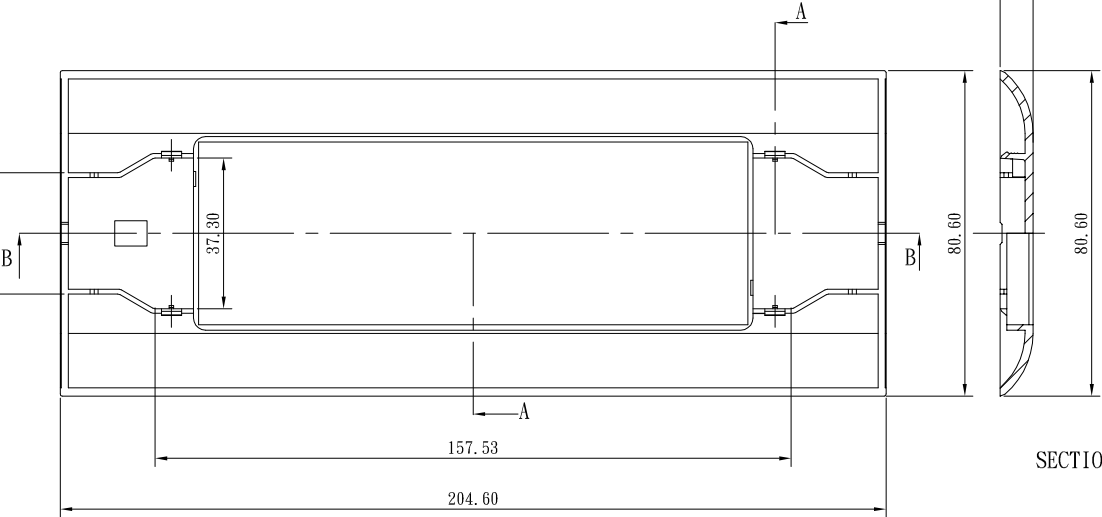


REVISIONS				
ZONE	REV	DESCRIPTION	DATE	DRAWN



SECTION A-A

SECTION B-B

UNLESS OTHERWISE SPECIFIED: TOLERANCES			PROJECT ID 16M-00-06WT		<b>EUROLAN</b>			
.X ± .016	.X ± 0.2	X ± 1°	FILE	DATE	TITLE 6-PORT Bezel			
.XX ± .008	.XX ± 0.1	.X ± .5°	MATERIAL	DRAWN	SIZE	DRAWING NUMBER	PART NUMBER	REV
.XXX ± .004			SURFACE	CHECK	SCALE 1:1 UNIT mm SHEET			
			FINISH	APPROVED				