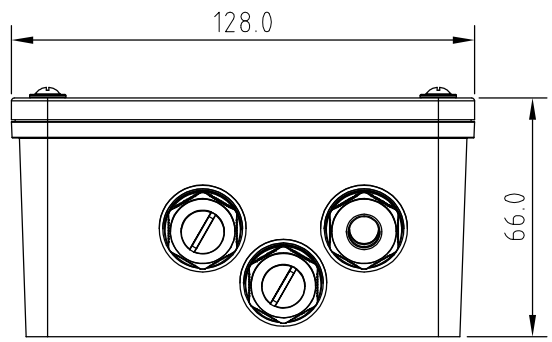
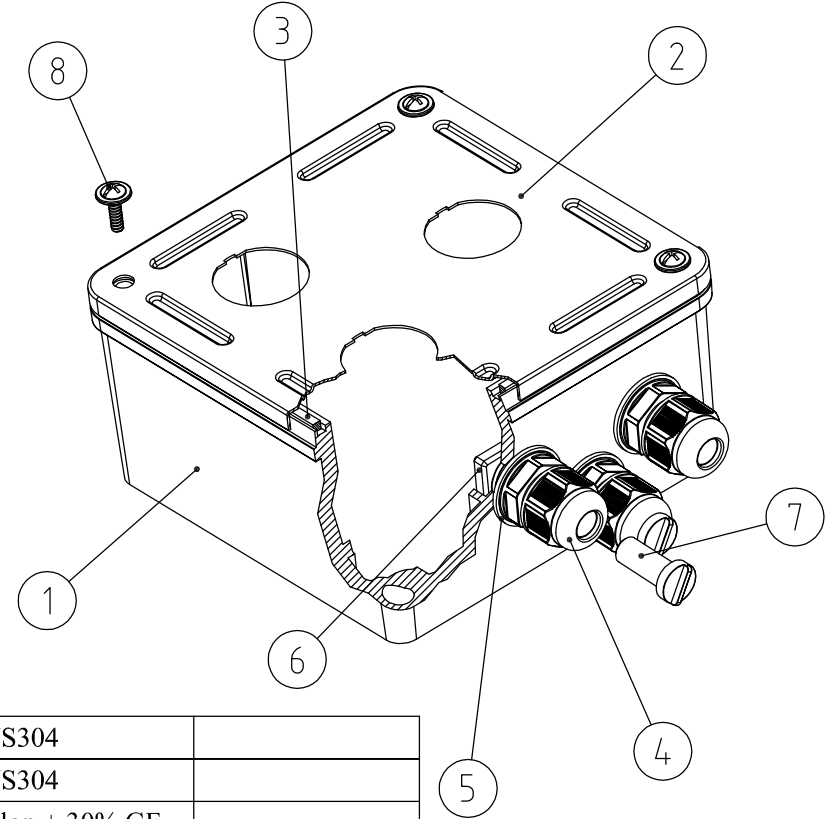
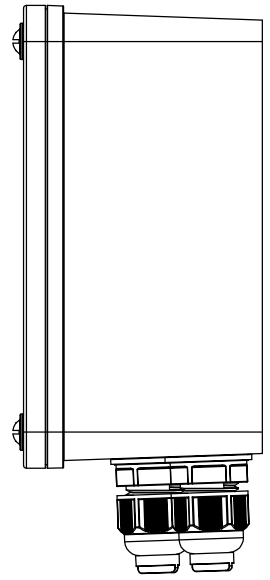
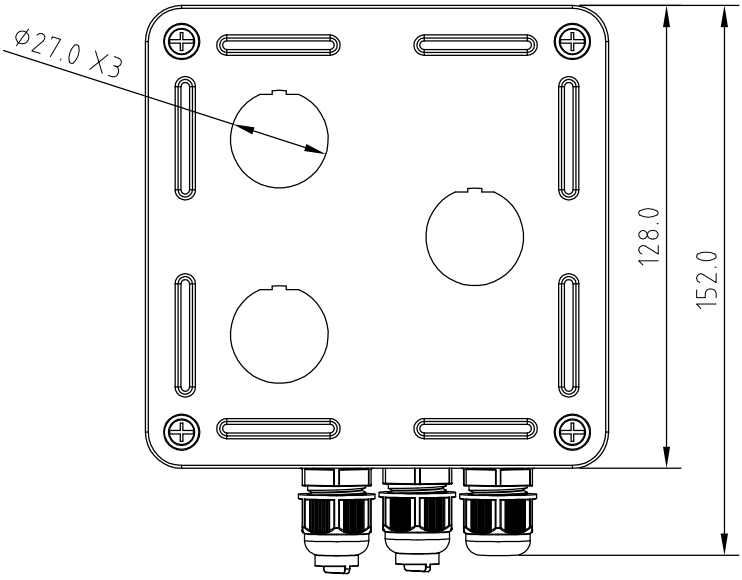


REVISIONS				
ZONE	REV	DESCRIPTION	DATE	APPROVED
	A	技術轉移單 EG06011	02/08'06	Sam Lee



⑧	Screw to fix the cover	SUS304	
⑦	Waterproof sealing insert	SUS304	
⑥	Waterproof sealing screw nut	Nylon + 30% GF	
⑤	Waterproof sealing gasket	EPDM	
④	Waterproof sealing cover	Nylon PA66	UL 94V-2
③	Gasket	Rubber	
②	Cover	SUS304	
①	Box	Polyac ABS	UL 94V-0
NO.	Description	Material	Flame retardancy

UNLESS OTHERWISE SPECIFIED: TOLERANCES		PROJECT ID 12B-03-67WT		<b>EUROLAN</b>	
INCH: X ± .016, .XX ± .008, .XXX ± .004		FILE: Z 2043 .dwg			
MM: X ± 0.2, .XX ± 0.1, .XXX ± .05		DATE: 02/08'06		TITLE: IP 67 BOX, 2port	
ANGULAR: X ± 1', .X ± .5'		DRAWN: Sam		PART NUMBER: Z 2043 .dwg	
MATERIAL:		CHECK:		REV: A	
SURFACE:		APPROVED:		SCALE: NON UNIT mm SHEET 3 OF 4	