

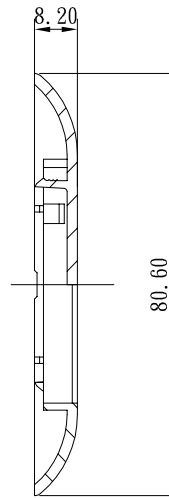
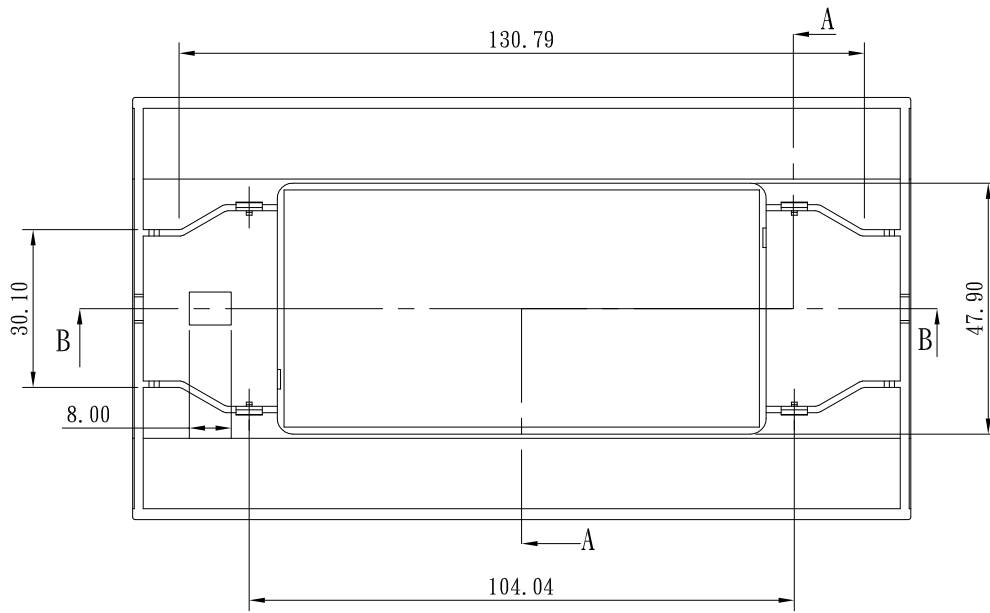
4

3

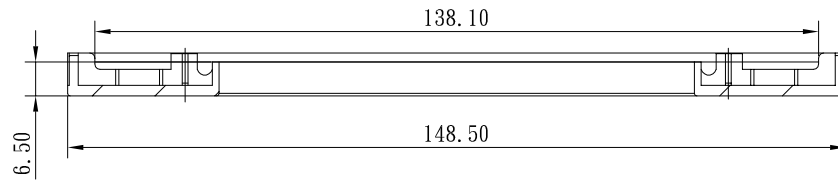
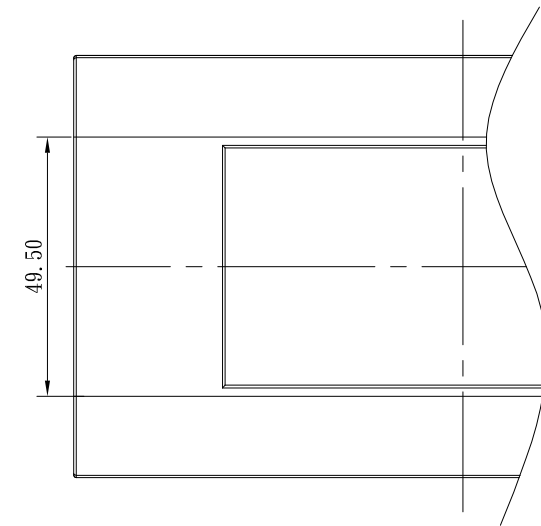
2

1

REVISIONS				
ZONE	REV	DESCRIPTION	DATE	DRAWN



SECTION A-A



SECTION B-B

UNLESS OTHERWISE SPECIFIED: TOLERANCES		PROJECT ID 16M-00-04WT		EUROLAN	
INCH	MM	ANGULAR	FILE		
.X ± .016	.X ± 0.2	X ± 1°	MATERIAL	DRAWN	TITLE 4-PORT Bezel
.XX ± .008	.XX ± 0.1	.X ± .5°	SURFACE	CHECK	
.XXX ± .004			FINISH	APPROVED	SIZE
				DRAWING NUMBER	
				PART NUMBER	
				REV	
SCALE 1 : 1		UNIT mm		SHEET	

D

C

B

A