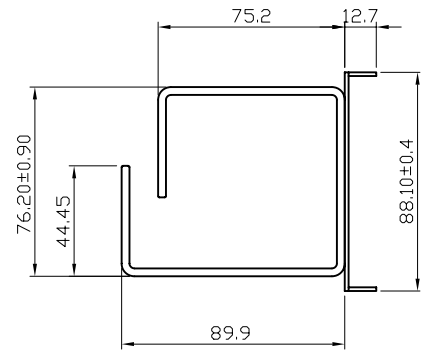
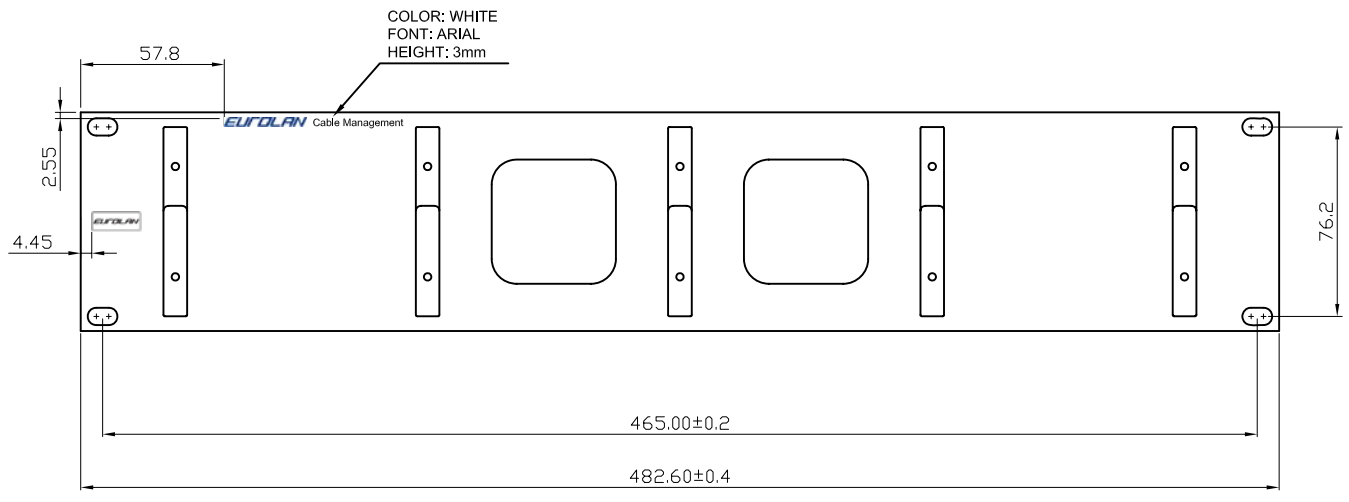
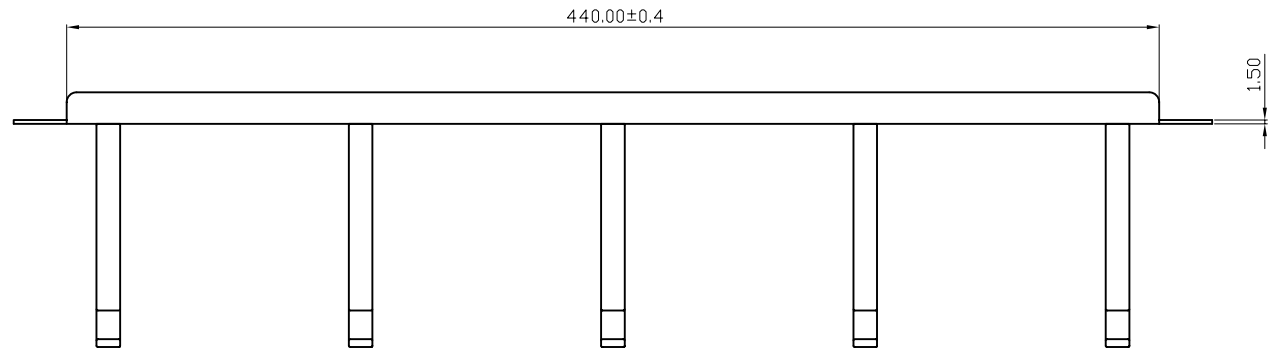


4 3 2 1

REVISIONS				
ZONE	REV	DESCRIPTION	DATE	DRAWN
	A	REVISED	10/15/08	JOANNA
	B	新增網印. ECN:ME08422	10/15/08	JOANNA



放大示意圖：

NOTE: **EUROLAN** Cable Management

- MATERIAL: SPCC (t=1.50mm),
- PACKAGING: 1 PC/bag/Eurolan box  
Eurolan box size: 503X124X94 mm  
6 pcs Eurolan box/Eurolan carton  
Eurolan carton size: 515X394X230 mm

UNLESS OTHERWISE SPECIFIED: TOLERANCES		PROJECT ID 25B-2U-02BL		<b>EUROLAN</b>	
INCH	MM	ANGULAR	FILE		
.X ± .016	.X ± 0.2	X ± 1°	DRAWN Winnie		TITLE <b>2U 5H RING</b>
.XX ± .008	.XX ± 0.1	.X ± .5°			
XXX ± .004			CHECK		SIZE A4
MATERIAL		APPROVED		DRAWING NUMBER	
SURFACE				PART NUMBER	
FINISH				REV	
SCALE 1 : 1			UNIT MM		SHEET 1 OF 1