

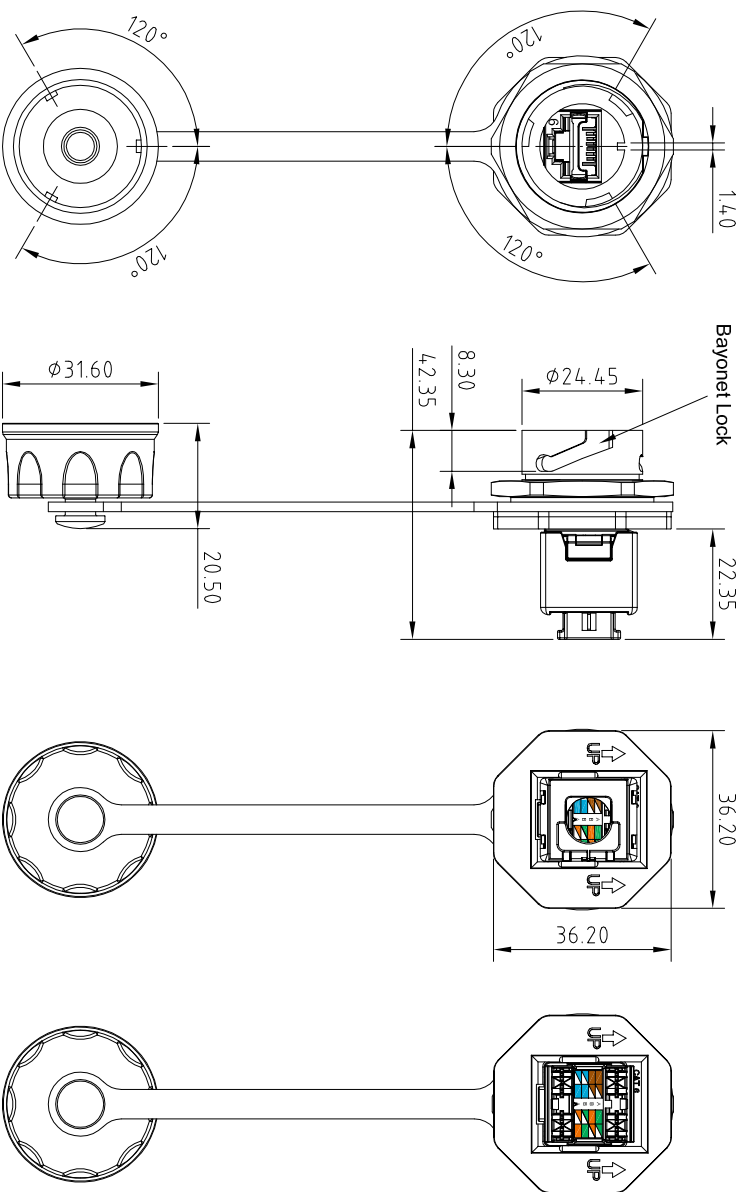
TRANSMISSION PERFORMANCE
 Meet ANSI/TIA-568-C.2 Cat.6 Connecting Hardware requirements.

ELECTRICAL
 Electrical Insulation Resistance : 500 MΩ min. @ 100V d.c
 Dielectric Withstanding Voltage : 1000V d.c. or a.c.
 Peak Contact to Contact @ 60Hz for 1 minute, 1500V d.c. or a.c.
 Peak Contact to Panel @ 60Hz for 1 minute

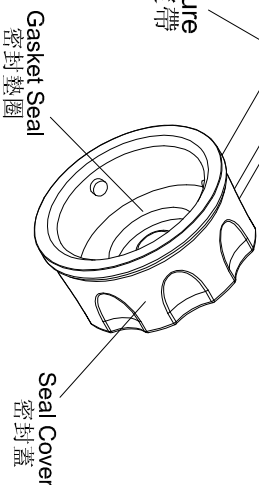
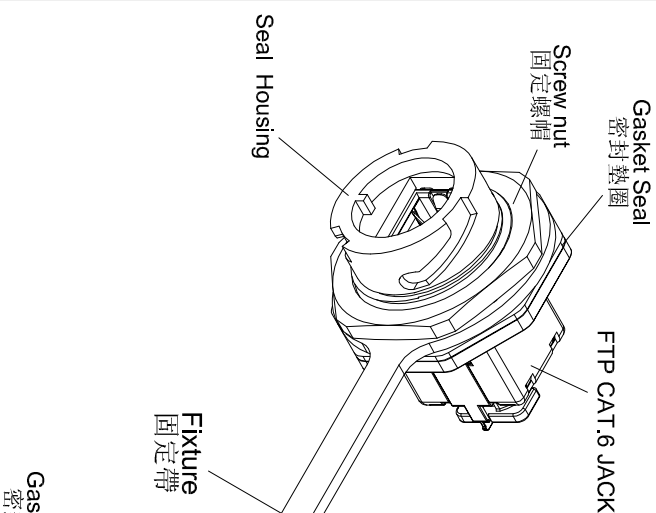
MECHANICAL
 Insertion / Extraction Life : 750 Cycles Minimum
 IDC Wire Gauge : 22 ~ 24 AWG

PHYSICAL
 Housing : Zinc-alloy fully shielded
 Spring Wire : Phosphor Bronze Alloy Plated With 50 micro-inch of Gold
 IDC : Phosphor Bronze Alloy With 100 micro-inch 100% Sn Alloy
 International Protection Code meet IP67

REVISIONS		DESCRIPTION	DATE	DRAWN
ZONE	REV	工新字 EGI4005 號	02/10/14	NICK
A				



COMPONENTS		
ITEM	PART NAME	QTY
1	FTP CAT6 KEYSTONE JACK	1
2	HOUSING(LP1954C-1)	1
3	Gasket Seal(LP1959)	1
4	Screw Nut(LP1955)	1
5	Fixture(LP1964)	1
6	Seal Cover(LP1957)	1
7	Gasket Seal(LP1961)	1



UNLESS OTHERWISE SPECIFIED		PROJECT ID	
INCH DIMENSIONS		16B-F6-67BL	
X ± 0.16		DATE	
MM		11/1/513	
XXX ± 0.00		DRAWN	
XXX ± 0.00		NICK	
MATERIAL		FILE	
SURFACE		Z3891.dwg	
FINISH		CHECK	
		APPROVED	
SCALE		SIZE	
1 : 1		DRAWING NUMBER	
		Z3891	
		PART NUMBER	
		SHEET	
		1 OF 1	
		REV	
		A	

EUROLAN

IP 67 C6 FTP keystone jack