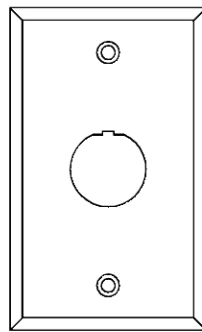
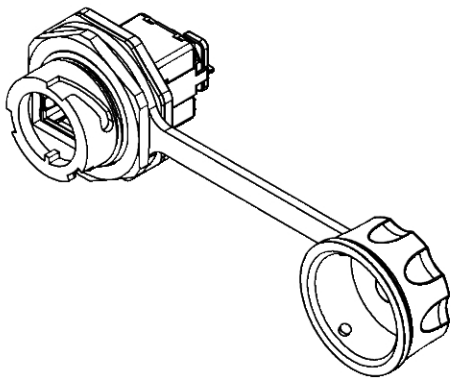
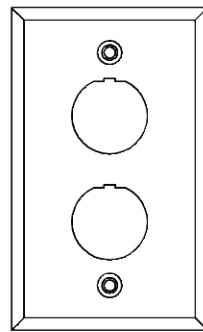


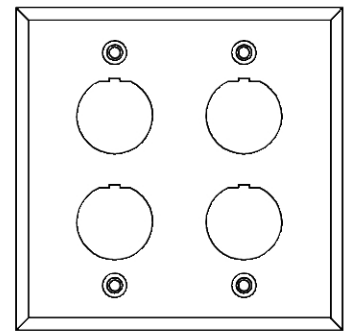
INSTALLATION SHEET



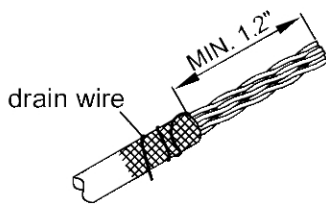
1 PORT
Steel faceplate



2 PORT
Steel faceplate

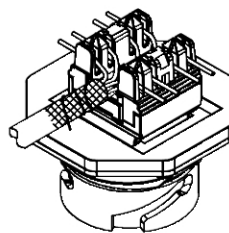


4 PORT
Steel faceplate



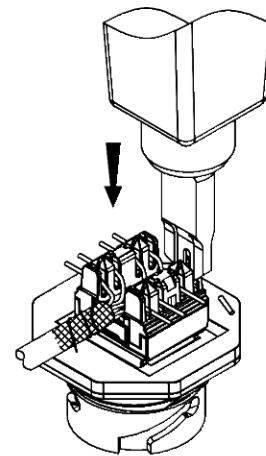
STEP 1:

Strip off at least 1.2 inches of jacket from end of cable. Wrap the drain wire around the cable.



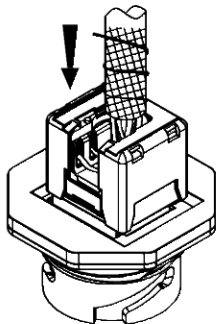
STEP 2:

Press the wires through the projecting portion of terminals until fixed. (T568A/T568B)



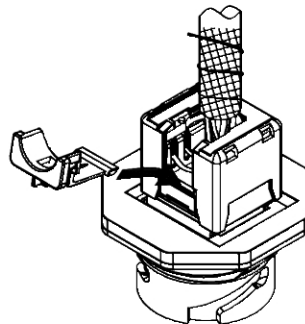
STEP 3:

Terminate wires with punch down tool. Make sure the tool cuts off the excess wires.



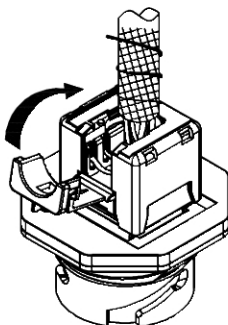
STEP 4:

Place the cap on the jack and press to make sure it is fully seated.



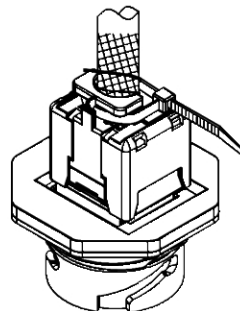
STEP 5:

Put the hinged side cover into the slot.



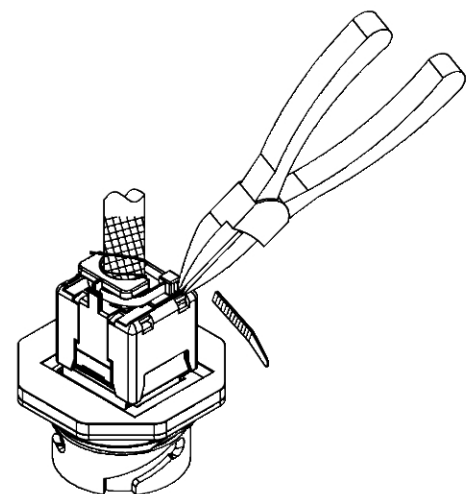
STEP 6:

Snap the side cover to the jack.



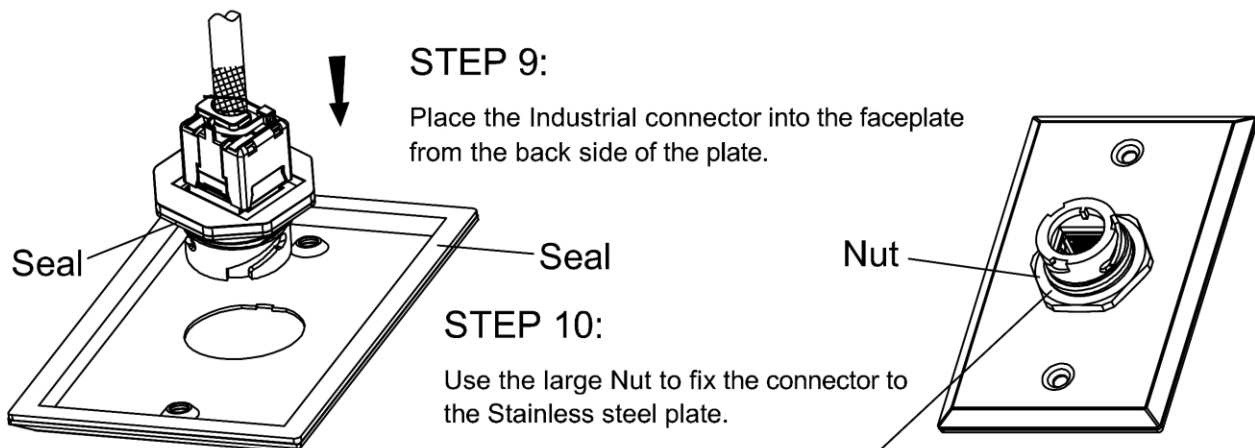
STEP 7:

Fix the cable tie to the shielding lug.



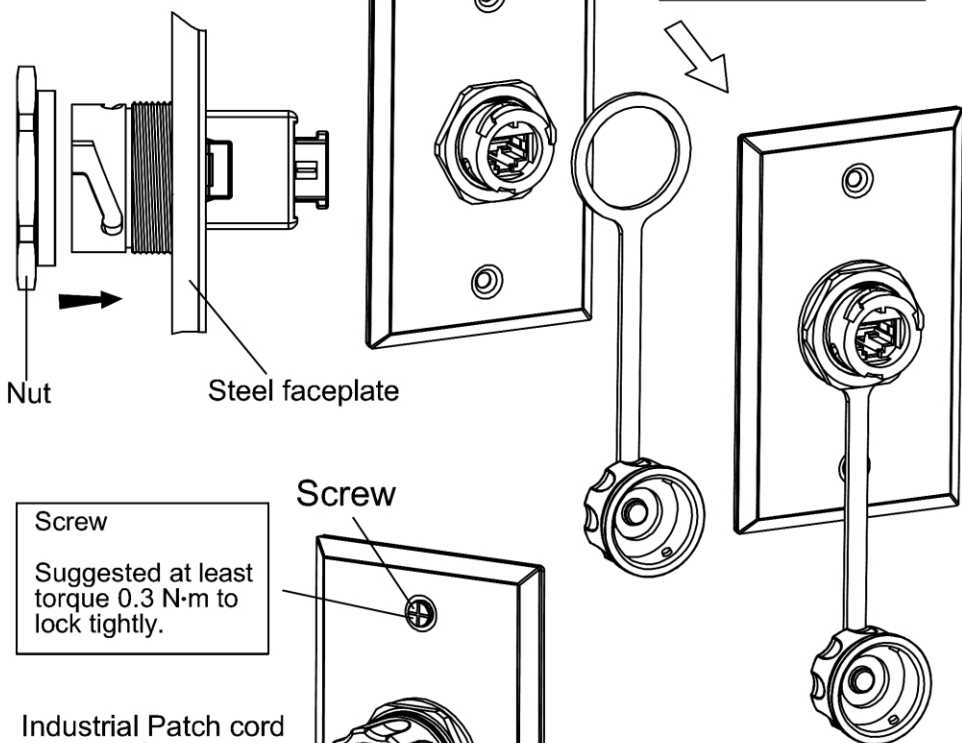
STEP 8:

Cut the excess tie wrap off as close to the strain relief as possible.



STEP 11:

Follow the direction of the nut and screw.



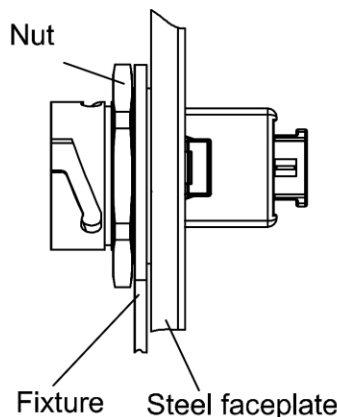
Nut

33.5mm

Suggested at least torque 3 N·m to lock tightly.

STEP 12:

Mount the Cover/Seal between the large nut and the face plate.



STEP 13:

Secure the wall plate to the backbox in its correct location with the supplied screws. Insert an Industrial Patch cord into the industrial connector to connect to a network. place the connector seal cover if the plug is not installed.

