

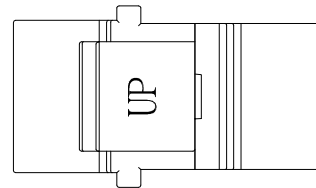
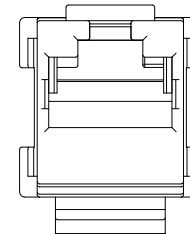
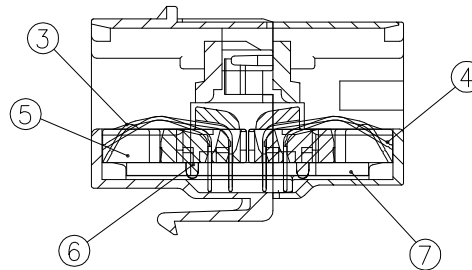
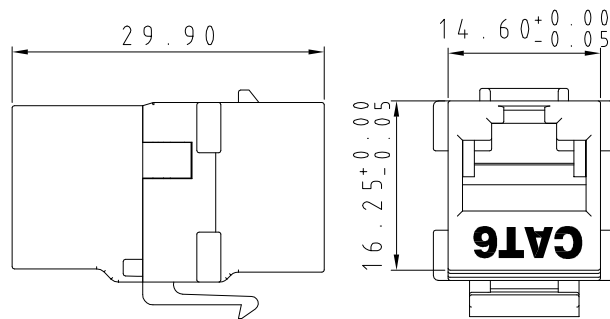
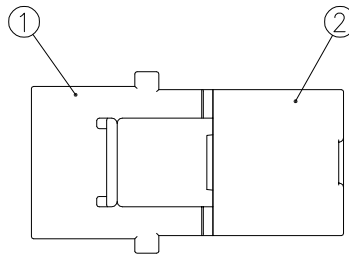
4

3

2

1

| REVISIONS | | | | |
|-----------|-----|-----------------|----------|-------|
| ZONE | REV | DESCRIPTION | DATE | DRAWN |
| | A | 新產品技術移轉EG04056號 | 11/30'04 | JIMY |
| | | | | |



TRANSMISSION PERFORMANCE

NEXT:MEET ALL REQUIREMENTS SPECIFIED

IN TIA/EIA-568-B.2-1 CATEGORY 6

Return Loss:MEET ALL REQUIREMENTS SPECIFIED

IN TIA/EIA-568-B.2-1 CATEGORY 6

ELECTRICAL:

Electrical Insulation Resistance : 500 M Ω

min. @ 100V d.c.

Dielectric Withstanding Voltage : 1000V d.c. or

a.c. Peak Contact to Contact @ 60Hz for 1 minute,

MECHANICAL:

Insertion / Extraction Life : 750 Cycles Minimum

PHYSICAL:

Housing : High-Impact, Flame-Retardant Plastic, UL 94V-0

Spring Wire : Phosphor Bronze Alloy Plated With 50 micro-inch of Gold

| | | |
|-----|-----------------|------|
| ⑦ | PCB | 1 |
| ⑥ | INSERT BASE | 1 |
| ⑤ | INSERT COVER | 1 |
| ④ | TERMINAL (DOWN) | 1 |
| ③ | TERMINAL (UP) | 1 |
| ② | REAR HOUSING | 1 |
| ① | FRONT HOUSING | 1 |
| NO. | Description | Q'TY |

| UNLESS OTHERWISE SPECIFIED: TOLERANCES | | | PROJECT ID | | EUROLAN |
|---|----------------|--------------|-------------|--------------|--|
| INCH | MM | ANGULAR | 12B-U6-03BL | FILE | |
| .X \pm .016 | .X \pm 0.2 | X \pm 1° | | Z1666.DWG | DATE |
| .XX \pm .008 | .XX \pm 0.1 | .X \pm .5° | | | 10/14'04 |
| .XXX \pm .004 | | | | DRAWN | JIMY |
| MATERIAL | SURFACE | | CHECK | | TITLE |
| | FINISH | | APPROVED | | Eurolan Keystone adapter C6 F-F Black |
| SIZE | DRAWING NUMBER | PART NUMBER | REV | | |
| A4 | Z1666 | | A | | |
| SCALE | 1/1 | UNIT | mm | SHEET 1 OF 1 | |