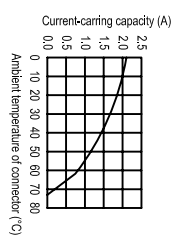


**Transmission Performance:**  
 2013M-DA6: Meet TIA/EIA-568-B.2-1 Cat.6  
 15M Short Link Requirements.  
**ENVIRONMENTAL CONDITIONS**  
 Temperature Range  
 Storage -40 to +70°C  
 Operation -10 to +60°C  
 Relative Humidity (Operational) : Maximum  
 Noncondensing 95%

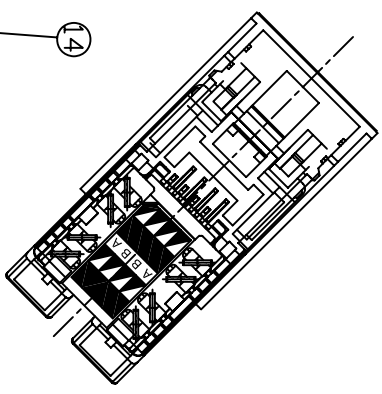
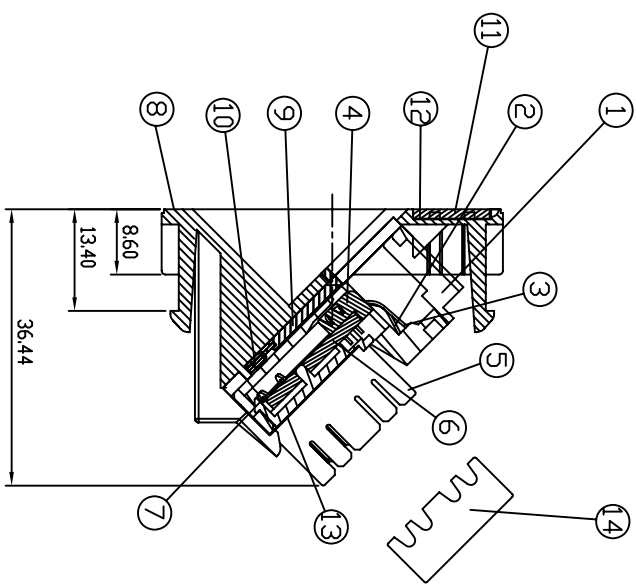
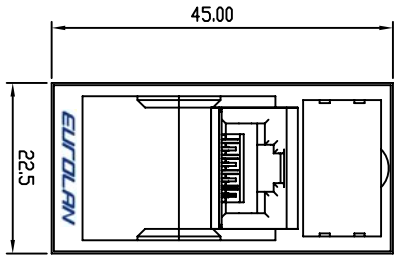
**ELECTRICAL**  
 Electrical Insulation Resistance : 500 MΩ min.  
 @ 100V d.c.  
 Dielectric Withstanding Voltage :  
 1000V d.c. or a.c. Peak Contact to Contact @  
 60Hz for 1 minute.  
 Spring Wire Contact Resistance : 20 mΩ Max.  
 IDC Contact Resistance : 2.5 mΩ Max.  
 Current Rating : as figure.

**MECHANICAL**  
 Retention : 50N (11 lbf) for 60s±5s  
 Insertion / Extraction Life : 750 Cycles  
 Minimum  
 IDC Wire Gauge : 22 ~ 24 AWG



**PHYSICAL**

Housing : High-Impact, Flame-Retardant Plastic, UL 94V-0  
 Spring Wire : Phosphor Bronze Alloy Plated With 50 micro-inch of Gold Over 70 min. micro-inch of Nickel (50 micro-inch Gold Plating only in Contact Area).  
 IDC Terminal : Phosphor Bronze Alloy Plated With 100 min. micro-inch Tin.  
**PACKAGING:**  
 1 PC / bag, 15 PCS / Euroloan box  
 Euroloan box size: 212 X 124 X 91 mm  
 24 PCS Euroloan box / Euroloan carton  
 Euroloan carton size: 515 X 503 X 230 mm



14	CAP (Attachment)	1
13	WIRING PASTER(C6)	1
12	C6 LABEL (Attachment)	1
11	WINDOW (Attachment)	1
10	SPRING	1
9	SHUTTER	1
8	BEZEL, ANGLED	1
7	TERMINAL	8
6	PCB(CAT.6)	1
5	IDC SEAT	1
4	INSERT	1
3	2468 CONTACT	1
2	1357 CONTACT	1
1	JACK HOUSING	1
NO.	PART NAME	Q'TY

UNLESS OTHERWISE SPECIFIED:		PROJECT ID		DATE		TITLE	
INCH	TOLERANCES	MM	ANGULAR	16A-U6-03WT		EUROLAN	
.XX ± .016	.XX ± .008	.XX ± 0.1	X ± 1°	FILE		ANGLE BEZEL	
XXX ± .004		.X ± .5		DRAWN	Winnie	SIZE	A4
MATERIAL		CHECK		APPROVED		DRAWING NUMBER	
SURFACE FINISH						PART NUMBER	
						REV	A
SCALE 1 : 1		UNIT	MM	SHEET	1 OF 1		

REVISIONS			
ZONE	REV	DESCRIPTION	DATE
	A		