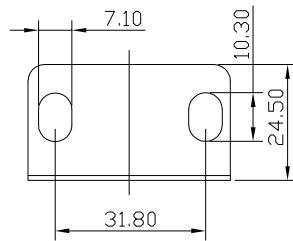
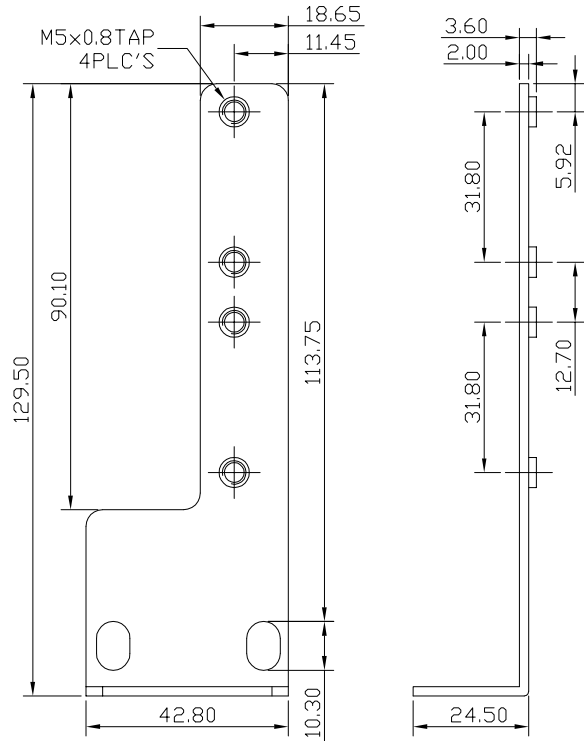
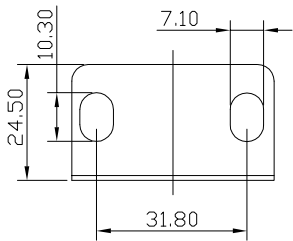
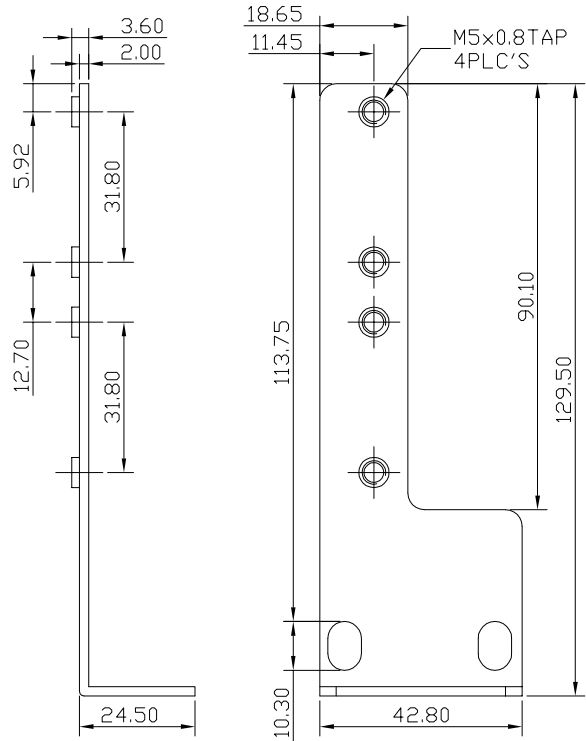


| REVISIONS | | | | |
|-----------|-----|-------------|----------|-------|
| ZONE | REV | DESCRIPTION | DATE | DRAWN |
| | A | SL19008 | 04/18'19 | JOY |



| | | | | |
|---|-----------|----------------------------------|----------------|-------------|
| UNLESS OTHERWISE SPECIFIED: TOLERANCES | | PROJECT ID 27U-2U-01BL | EUROLAN | |
| INCH | MM | ANGULAR | FILE | DATE |
| .X ± .016 | .X ± 0.2 | X ± 1' | | |
| .XX ± .008 | .XX ± 0.1 | .X ± .5' | | |
| .XXX ± .004 | | | | |
| MATERIAL | SPCC 2.0T | DRAWN | JOY | 04/18'19 |
| SURFACE | | CHECK | | |
| FINISH | | APPROVED | | |
| TITLE EUROLAN ZERO UNIT RACK FOR 2U PATCH PANEL | | SIZE | DRAWING NUMBER | PART NUMBER |
| SCALE None | | UNIT mm | SHEET 1 of 1 | |