

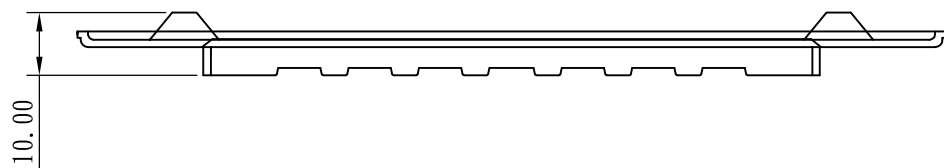
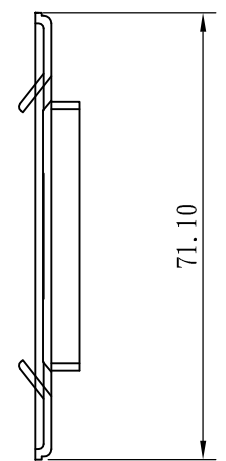
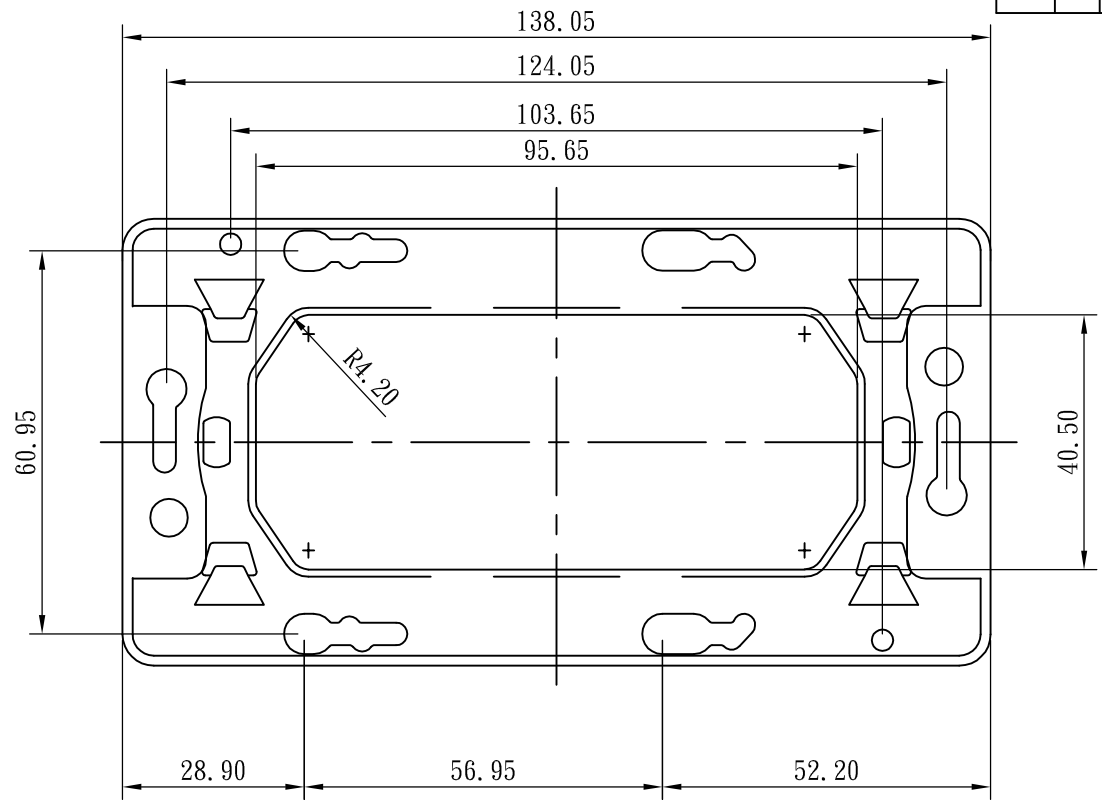
4

3

2

1

| REVISIONS | | | | |
|-----------|-----|-------------|------|-------|
| ZONE | REV | DESCRIPTION | DATE | DRAWN |
| | | | | |
| | | | | |



| | | | | | | | | |
|---|-----------|----------|---------------------------|----------|-------------------------|----------------|-------------|-------|
| UNLESS OTHERWISE SPECIFIED: TOLERANCES | | | PROJECT ID 16S-00-04WT | | EUROLAN | | | |
| INCH | MM | ANGULAR | FILE | DATE | TITLE 4 PORT Bracket | | | |
| .X ± .016 | .X ± 0.2 | X ± 1° | | | | | | |
| .XX ± .008 | .XX ± 0.1 | .X ± .5° | MATERIAL | DRAWN | SIZE | DRAWING NUMBER | PART NUMBER | REV |
| .XXX ± .004 | | | SURFACE | CHECK | SCALE 1 : 1 | | UNIT mm | SHEET |
| | | | FINISH | APPROVED | | | | |

D

C

B

A