

DH-SD3A200-GN-A-PV

2MP IR and White Light Full-color Network PT Camera



- 1/2.8" 2Megapixel CMOS
- IR distance up to 30 m
- H.265 Encoding
- PoE
- Max. 25/30 fps@1080p
- IVS



System Overview

Driven by advanced smart H.265 encoding technology, Dahua Smart Dual Light Camera combines precision and reliability into one powerful camera, achieving high encoding efficiency, producing seamless videos and reducing cost on transmission and storage. To meet a wide range of shooting situations, this series of high-performant cameras features functions such as infrared and warm light smart illumination, human shape detection, and siren and light active deterrence. It also achieves the application of retrospect, intervention and precaution, delivering the convenience needed in a modern camera.

Functions

IVS

With advanced video algorithm, Dahua IVS technology supports intelligent functions, such as tripwire and intrusion.

Smart Dual Light

Dahua Smart Dual Light technology adopts smart algorithm to detect targets. Usually, the IR illuminator is on at night; when the target appears in the monitoring area, the white light is on, and the camera records the full-color video and information of key events. That is, the camera links snapshot and video with full-color image. When the target is out of the monitoring area, the white light is off and the IR illuminator is on, which reduces light pollution efficiently.

Wide Dynamic Range

The camera produces vivid images, even in high-contrast lighting conditions, by using industry-leading wide dynamic range (WDR) technology. For scenes that quickly alternate between bright and low lighting, WDR adjusts to fully capture both the bright and dark areas of a scene, producing superior quality videos.

Siren and Light Active Deterrence

The camera supports the white light alarm and voice alarm when perimeter event occurs, to realize the deterrence and effective intervention. The camera is built in the alarm voice, and supports customized voice importing.

Smart H.265+

Smart H.265+ is the optimized implementation of the H.265 codec that uses a scene-adaptive encoding strategy, dynamic GOP, dynamic ROI, a flexible multi-frame reference structure and intelligent noise reduction to deliver high-quality videos without straining the network. Smart H.265+ technology outranks standard H.265 video compression, reducing bit rate and storage requirements by up to 70%.

Scene

It is suitable for use by families and in fish ponds, orchards, rural courtyards, small factories, supermarkets and other similar locations.

Technical Specification

Camera	
Image Sensor	1/2.8" CMOS
Max. Resolution	1920 (H) × 1080 (V)
Pixel	2 MP
ROM	128 MB
RAM	128 MB
Electronic Shutter Speed	1/3 s–1/100,000 s
Scanning System	Progressive
Min. Illumination	Color: 0.002 lux@F1.6 B/W: 0.0002 lux@F1.6 0 lux (illuminator on)
Illumination Distance	30 m (98.42 ft) (IR) 30 m (98.42 ft) (white light)
Illumination On/Off Control	Auto; Manual; Off
Illumination Number	2 (IR light) 2 (white light)

Lens				
Focal Length	4.0 mm			
Max. Aperture	F1.6			
Field of View	H: 88.9°; V: 47.7°; D: 104.7°			
Close Focus Distance	0.3 m (0.98 ft)			
Iris Control	Fixed			
DORI Distance	Detect	Observe	Recognize	Identify
	55.1 m (180.77 ft)	21.9 m (71.85 ft)	10.6 m (34.78 ft)	4.6 m (15.09 ft)

PTZ	
Pan/Tilt Range	Pan: 0° to 355° Tilt: –15° to 90°
Manual Control Speed	Pan: 0.1°/s–26°/s Tilt: 0.1°/s–17.5°/s
Preset Speed	Pan: 26°/s; Tilt: 17.5°/s
Preset	300
Power-off Memory	Yes
Idle Motion	Preset

Smart Event	
IVS	Tripwire; intrusion

Active Deterrence	
Light Warning	White light warning Flash duration: 5 s–30 s Flash frequency: High, medium, low
Sound Warning	Sound warning alarm: Customizable Alarm duration: 10 s, 20 s, 30 s

Video	
Video Compression	H.265; H.264B; H.264; MJPEG(Sub Stream 1); smart H.265+; smart H.264+

Streaming Capability	2 Streams
Resolution	1080p (1920 × 1080); 1.3M (1280 × 960); 720p (1280 × 720); D1 (704 × 576/704 × 480); CIF (352 × 288/352 × 240)
Video Frame Rate	Main stream: 1080p/1.3M/720p (1–25/30 fps) Sub stream 1: D1/CIF (1–25/30 fps)
Bit Rate Control	CBR; VBR
Video Bit Rate	H264: 1536~7936Kbps H265: 512~4864Kbps
Day/Night	Auto (ICR); Color; B; W
BLC	Yes
WDR	DWDR
HLC	Yes
White Balance	Auto; indoor; outdoor; tracking; manual; sodium lamp; natural light; street lamp
Gain Control	Auto; Manual
Noise Reduction	2D; 3D
Motion Detection	Yes
Image Rotation	180°
S/N Ratio	≥55 dB

Audio	
Audio Compression	PCM; G.711a; G.711Mu; G.726; MPEG2-Layer2; G722.1

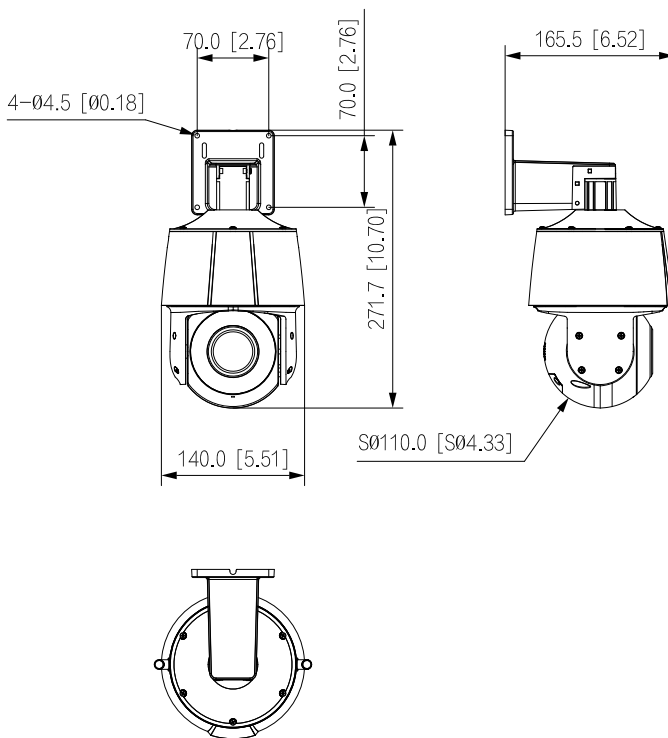
Network	
Network Port	RJ-45 (10/100 Base-T)
Network Protocol	HTTP; HTTPS; TCP/IP; IPv4; RTSP; UDP; SMTP; NTP; DHCP; DNS; DDNS; IPv6; SSL; FTP; ARP; RTCP; RTP; IP Filter; RTMP; TCP
Interoperability	ONVIF (Profile S&T); CGI
Streaming Method	Unicast; Multicast
User/Host	20
Storage	FTP; Micro SD card (256 G)
Browser	IE 7 and later versions Chrome 42 and earlier versions Firefox 52 and earlier versions Safari
Management Software	DMSS
Mobile Client	iOS; Android; iPhone; iPad; Windows Phone

Certification	
Certifications	CE: EN55032/EN55024/EN50130-4 FCC: Part15 subpartB, ANSI C63.4-2014

Port	
Audio Input	1 channel (Built-in Mic)
Audio Output	1 channel (Built-in Speaker)
Audio I/O	1/1
Two-way Audio	Yes
Alarm Linkage	Capture; preset; recording; send email; audio

Alarm Event	Motion/tampering detection; audio detection; network disconnection detection; IP conflict detection; memory card state detection; memory space detection
Power	
Power Supply	12 VDC, 1.5 A (±10%) PoE (802.3af)
Power Consumption	Basic: 4 W Max: 12.95 W (illuminator)
Environment	
Operating Temperature	-30 °C to +60 °C (-22 °F to +140 °F)
Operating Humidity	≤95% RH
Protection	IP66; TVS 2000V lightning proof; surge protection; voltage transient protection
Structure	
Product Dimensions	271.7 mm × 165.5 mm × 140 mm (107" × 6.52" × 5.51")
Net Weight	1.07 kg (2.36 lb)
Gross Weight	1.46 kg (3.21 lb)
*The precision of the presets for PTZ cameras might vary depending on different series. For scenes with high requirements on the precision, contact your local sales representative for assistance with selecting the model.	

Dimensions (mm[inch])



Ordering Information

Type	Model	Description
2 MP Camera	DH-SD3A200-GN-A-PV	2MP IR and White Light Full-color Network PT Camera
	SD3A200-GN-A-PV	2MP IR and White Light Full-color Network PT Camera
Accessories (Optional)	DC12V/1.5A	Power Adapter

Accessories

Optional:



DC12V/1.5A
Power Adapter

Wall Mount	Ceiling Mount	Pole Mount(Vertical)
/	/	/